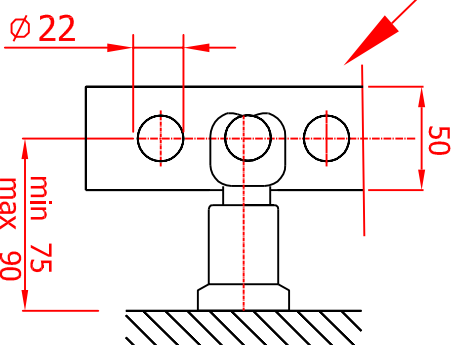
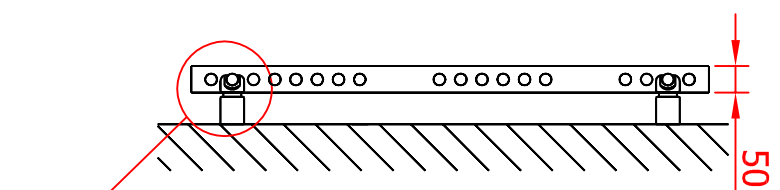
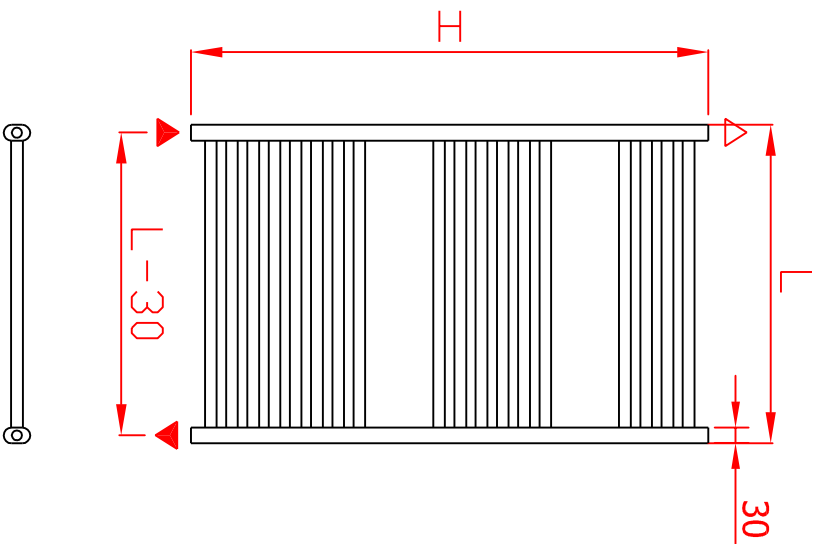


EURORA



MODEL	H (mm)	L (mm)	Q (W) <small>T(75°/65°/20 C°)</small>
EURORA	972	450	406
		600	511
		750	616
EURORA	1322	450	552
		600	698
		750	844
EURORA	1672	450	696
		600	882
		750	1067

n = 1,24 (EN442-2)

