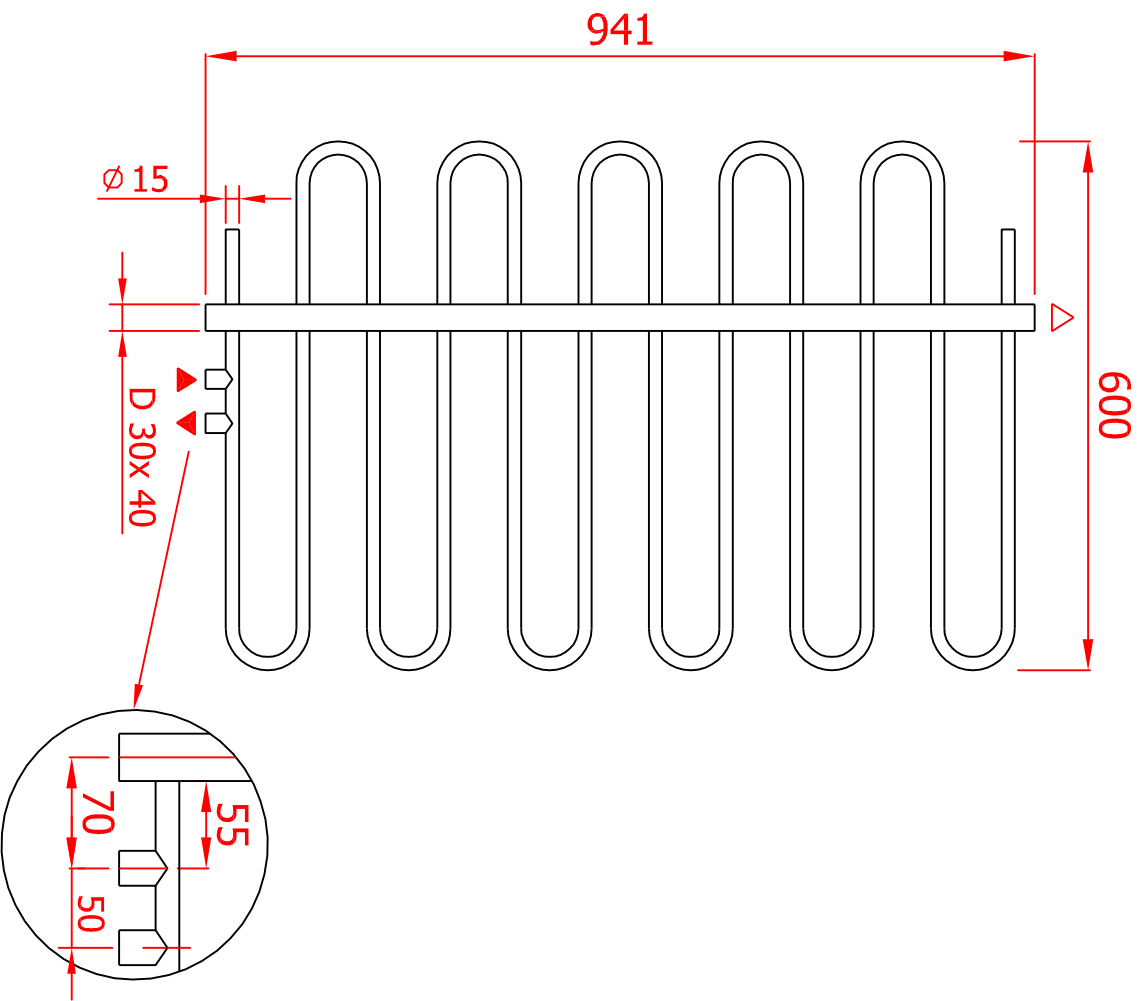


# KAYA



MODEL	H (mm)	L (mm)	Q (W) $T(75^{\circ}/65^{\circ}/20\text{ }^{\circ}\text{C}^{\circ})$
KAYA 600/941	941	600	280