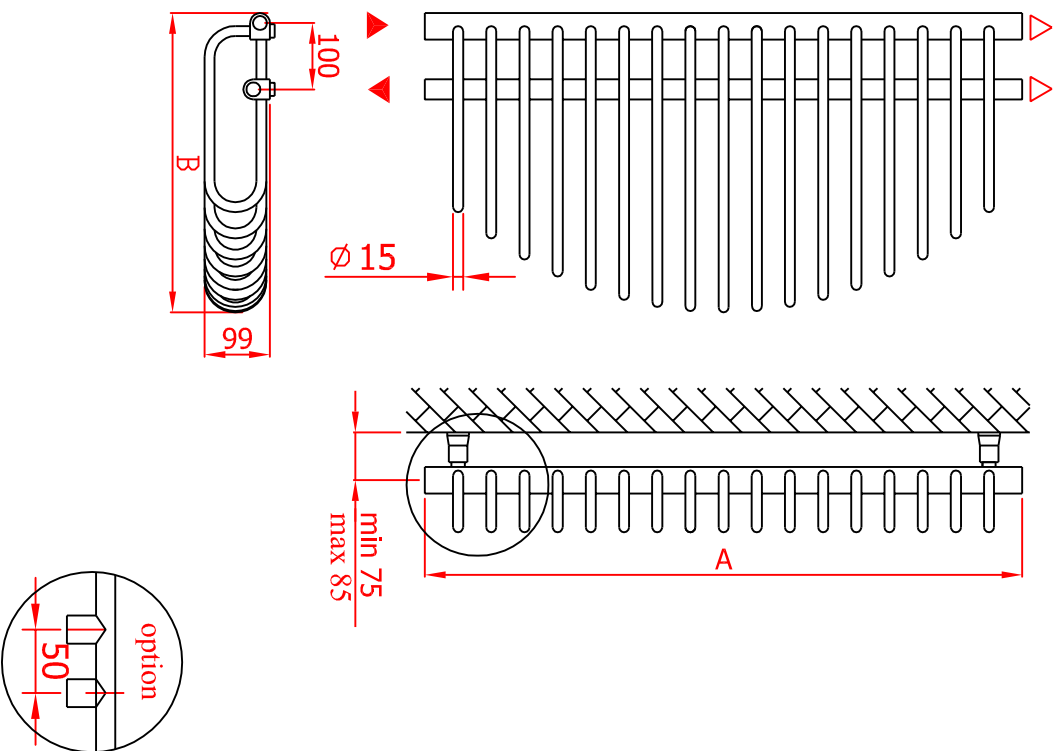


INGE



MODEL	A (mm)	B (mm)	Q (W) T(75°/65°/20 C°)
INGE 600/900	900	600	491
INGE 600/1300	1300	600	646
INGE 700/1300	1300	700	830
INGE 700/1800	1800	700	1200

n = 1,2248 (EN442-2)