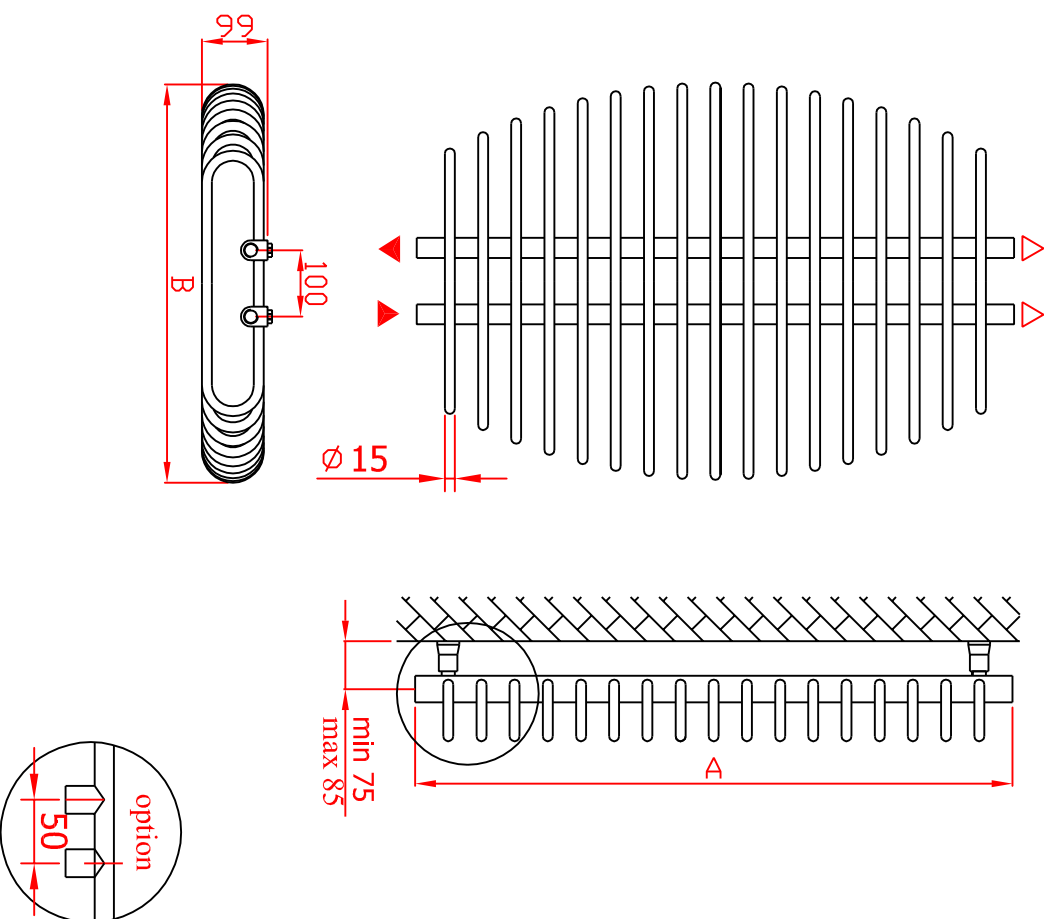


# LAURA



MODEL	A (mm)	B (mm)	Q (W) T(75°/65°/20°C)
LAURA 600/900	900	600	460
LAURA 600/1300	1300	600	639
LAURA 700/1300	1300	700	747
LAURA 700/1800	1800	700	1080

$\eta = 1,2246$  (EN442-2)